

# Technical data sheet



## Product features

### Cooking range electric 6x plates with oven GN 2/1

<b>Model</b>	<b>SAP Code</b>	00014646
--------------	-----------------	----------



- Device type: Electric unit
- Power consumption of the zone 1 [kW]: 3,5
- Power consumption of the zone 2 [kW]: 3,5
- Power consumption of the zone 3 [kW]: 3,5
- Power consumption of the zone 4 [kW]: 3,5
- Power consumption of the zone 5 [kW]: 3,5
- Power consumption of the zone 6 [kW]: 3,5
- Type of internal part of the appliance 1 (eg oven): Electric
- Protection of controls: IPX4
- Material: AISI 304 top plate, AISI 430 cladding

<b>SAP Code</b>	00014646	<b>Power consumption of the zone 1 [kW]</b>	3,5
<b>Net Width [mm]</b>	1200	<b>Power consumption of the zone 2 [kW]</b>	3,5
<b>Net Depth [mm]</b>	900	<b>Power consumption of the zone 3 [kW]</b>	3,5
<b>Net Height [mm]</b>	900	<b>Power consumption of the zone 4 [kW]</b>	3,5
<b>Net Weight [kg]</b>	161.00	<b>Power consumption of the zone 5 [kW]</b>	3,5
<b>Power electric [kW]</b>	27.300	<b>Power consumption of the zone 6 [kW]</b>	3,5
<b>Loading</b>	400 V / 3N - 50 Hz	<b>Type of internal part of the appliance 1 (eg oven)</b>	Electric
<b>Number of zones</b>	6	<b>Diameter of device [mm]</b>	300

# Technical data sheet



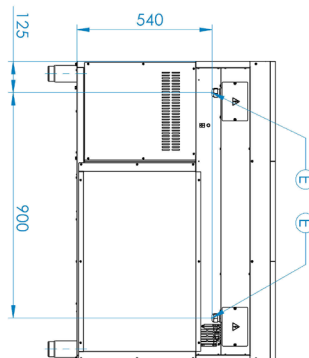
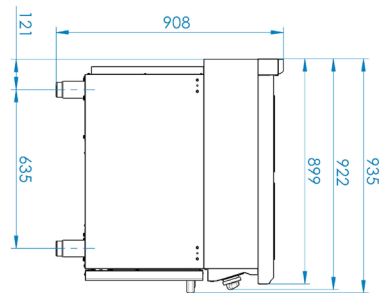
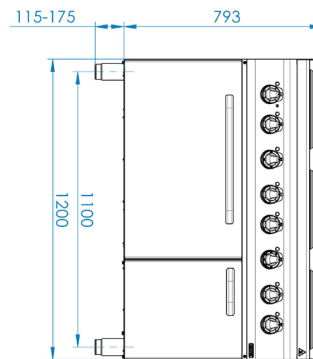
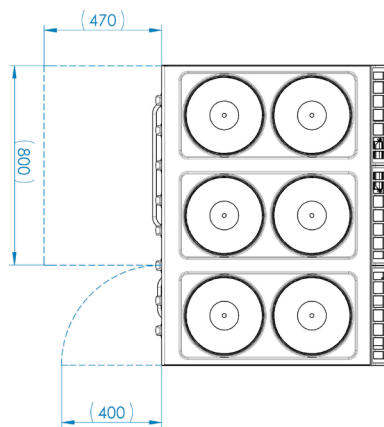
Technical drawing

Cooking range electric 6x plates with oven GN 2/1

Model

SAP Code

00014646



# Technical data sheet



## Technical parameters

### Cooking range electric 6x plates with oven GN 2/1

**Model**

**SAP Code**

00014646

**1. SAP Code:**

00014646

**2. Net Width [mm]:**

1200

**3. Net Depth [mm]:**

900

**4. Net Height [mm]:**

900

**5. Net Weight [kg]:**

161.00

**6. Gross Width [mm]:**

1260

**7. Gross depth [mm]:**

990

**8. Gross Height [mm]:**

1180

**9. Gross Weight [kg]:**

177.00

**10. Device type:**

Electric unit

**11. Construction type of device:**

With substructure

**12. Power electric [kW]:**

27.300

**13. Loading:**

400 V / 3N - 50 Hz

**14. Protection of controls:**

IPX4

**15. Material:**

AISI 304 top plate, AISI 430 cladding

**16. Worktop type:**

Molded - comfortable cleaning maintenance

**17. Worktop material:**

AISI 304

**18. Worktop Thickness [mm]:**

1.50

**19. Number of zones:**

6

**20. Power consumption of the zone 1 [kW]:**

3,5

**21. Power consumption of the zone 2 [kW]:**

3,5

**22. Power consumption of the zone 3 [kW]:**

3,5

**23. Power consumption of the zone 4 [kW]:**

3,5

**24. Power consumption of the zone 5 [kW]:**

3,5

**25. Power consumption of the zone 6 [kW]:**

3,5

**26. Number of power control stages:**

6

**27. Service accessibility:**

Trough the frontal panel

**28. Safety element:**

internal thermostatic protection of the hotplate against overheating

# Technical data sheet



Technical parameters

## Cooking range electric 6x plates with oven GN 2/1

**Model**

**SAP Code**

00014646

**29. Adjustable feet:**

Yes

**34. Oven size:**

GN 2/1

**30. Number of burners/hot plates:**

6

**35. Oven material:**

Stainless steel

**31. Diameter of device [mm]:**

300

**36. Type of internal part of the appliance 1 (eg oven):**

Electric

**32. Type of electric cooking zones:**

Oval

**37. Gasket:**

Yes

**33. Oven Type:**

electrical static